

Bowl-Tronics Enterprises Incorporated

Address: 1115 Sherwood Ave.
Elgin IL. 60120
Website: www.bowl-tronics.com
E-mail: rick@bowl-tronics.com

Phone: 847-741-4500

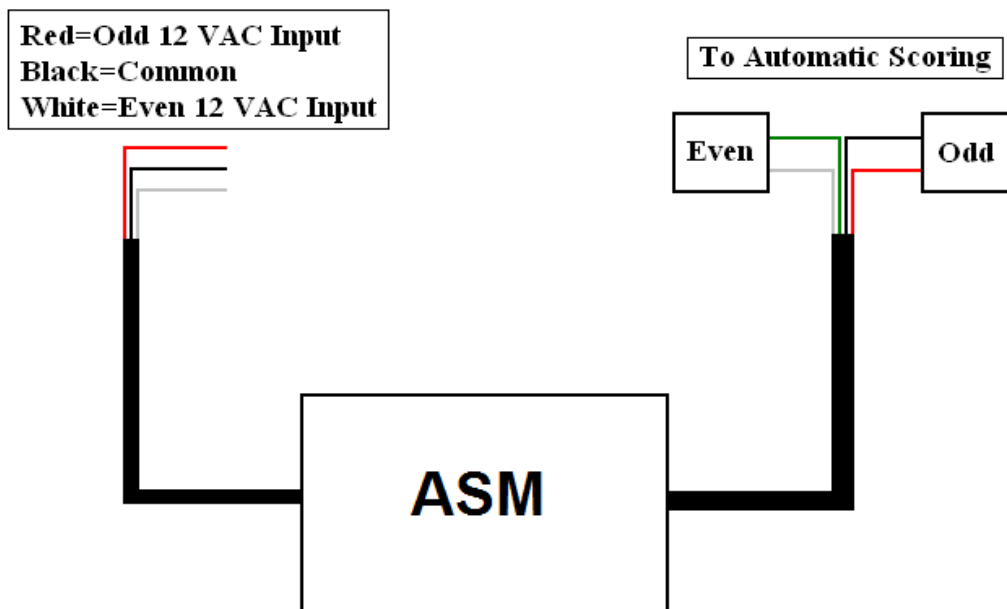
Auto Score Module (ASM) & (ASM-S)

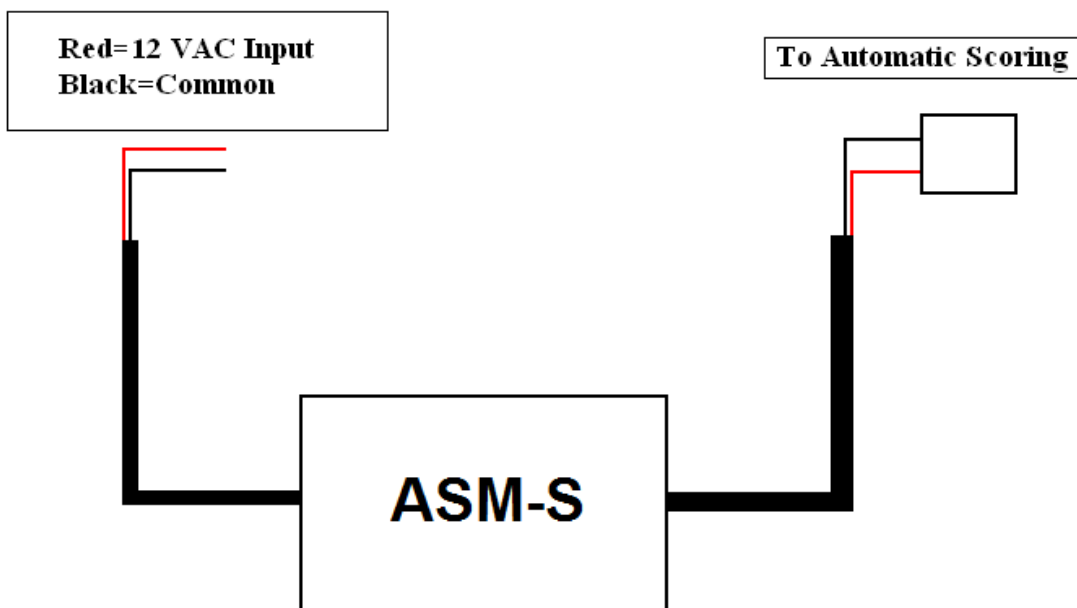
Auto Score Module Theory

The ASM allows a foul system that outputs 12 VAC to give relay point closure for scoring systems that require point closure to show that someone has fouled. Below is the diagram of how to wire the ASM to your foul system.

Installation Instructions

Remember to remove power before performing any installation!!





For repair visit: www.bowl-tronics.com/service

Fill out our service request form and ship to the address that is shown.

Notes:
