

Bowl-Tronics Enterprises Incorporated

Address: 1115 Sherwood Ave.
Elgin IL. 60120
Website: www.bowl-tronics.com
E-mail: rick@bowl-tronics.com

Phone: 847-741-4500

Ball Lift Motor Control Box AMF (BL120-240 AMF)

Ball Lift Motor Control Box Theory

This ball lift motor control box is designed to replace the existing AMF ball lift box or similar ball lift box. On the inside cover of the (BL120-240 AMF) there will be a schematic on how to wire the (BL120-240 AMF). It will also be on the back of this page. Point closure from the AMF machine turns on the solid-state control circuit, this closes the circuit to start your ball lift and hand dryer motor running. (Note!! On some AMF ball lifts such as the C-90 they use what is called an interlock switch this option is explained below.)

Installation Instructions

Remember to remove power before performing any installation!!

First, start by removing the old ball lift box. Next, you will utilize the main power cable, ball lift motor cable, hand dryer cable, interlock switch cable (if applicable) and the M2 relay wire from the machine. Start by installing your main power connection to the new (BL120-240 AMF) box. Next, install the ball lift motor cable to the (BL120-240 AMF) box. The hand dryer output will have a 5 ft black SJOW cable, this will splice into your hand dryer motor. Install the interlock switch cable to the (BL120-240 AMF) box (if applicable). View the schematic to help wire up all the connections to the (BL120-240 AMF) box. Finally, hook up the M2 relay wire coming from the machine to the (BL120-240 AMF) box via the quick disconnect bullet connectors.

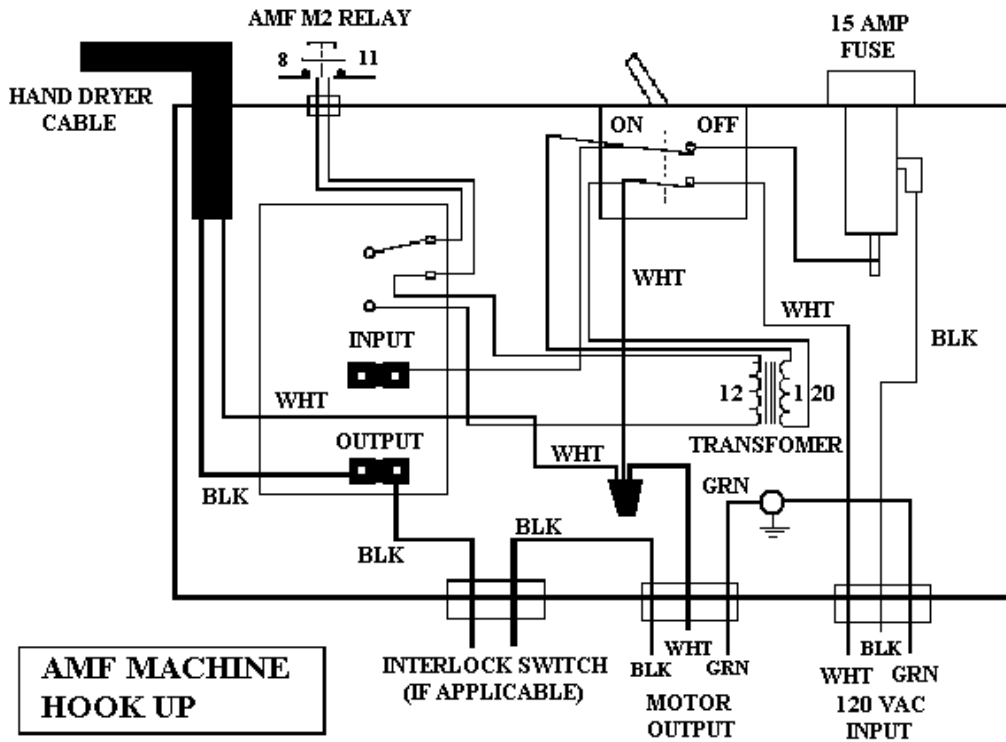
For repair visit: www.bowl-tronics.com/service

Fill out our service request form and ship to the address that is shown.

Notes:

Ball Lift Motor Control Box AMF Schematic

BALL LIFT MOTOR CONTROL CHASSIS 120 VAC INPUT



BALL LIFT MOTOR CONTROL CHASSIS 220 VAC INPUT

