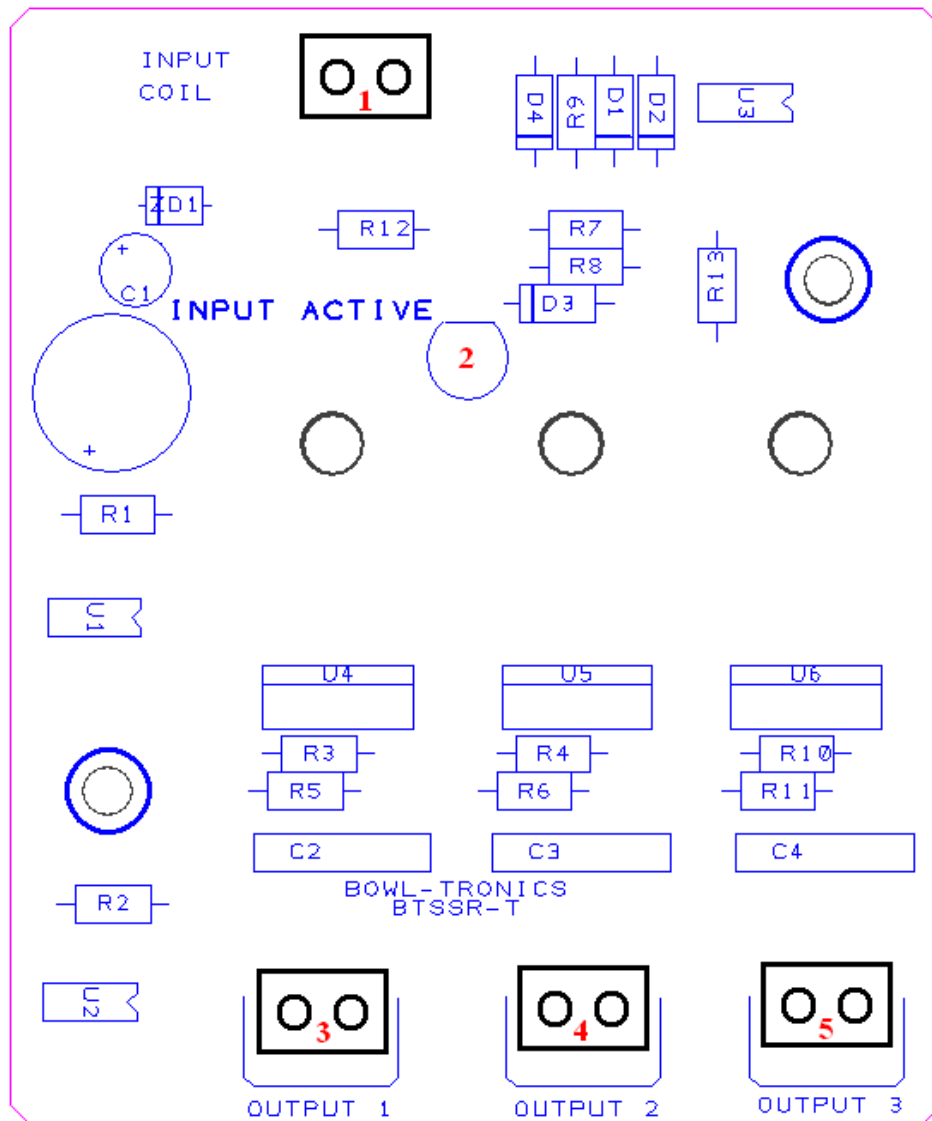


# Bowl-Tronics Enterprises Incorporated

Address: 1115 Sherwood Ave.  
 Elgin IL. 60120  
 Website: www.bowl-tronics.com  
 E-mail: rick@bowl-tronics.com

Phone: 847-741-4500

## Solid-State Relay Manual (BTSSR-T)



### PC Board Layout Description Table BTSSR-T:

1. 24 VAC input coil terminal connector (Wires from old relay coil)
2. 24 VAC Diagnostic LED (When lit 24 VAC has been applied)
3. Output number 1 terminal connector (Relay points)
4. Output number 2 terminal connector (Relay points)
5. Output number 3 terminal connector (Relay points)

## Solid-State Relay Theory

---

The solid-state relay works just like conventional contact closure relay but without the actual mechanical movement and arcing of relay points. A device called a TRIAC performs the contact closure for the solid-state relay and a device called an optocoupler resembles the coil of the relay.

## Installation Instructions (BTSSR-T)

---

---

*Remember to remove power before performing any installation!!*

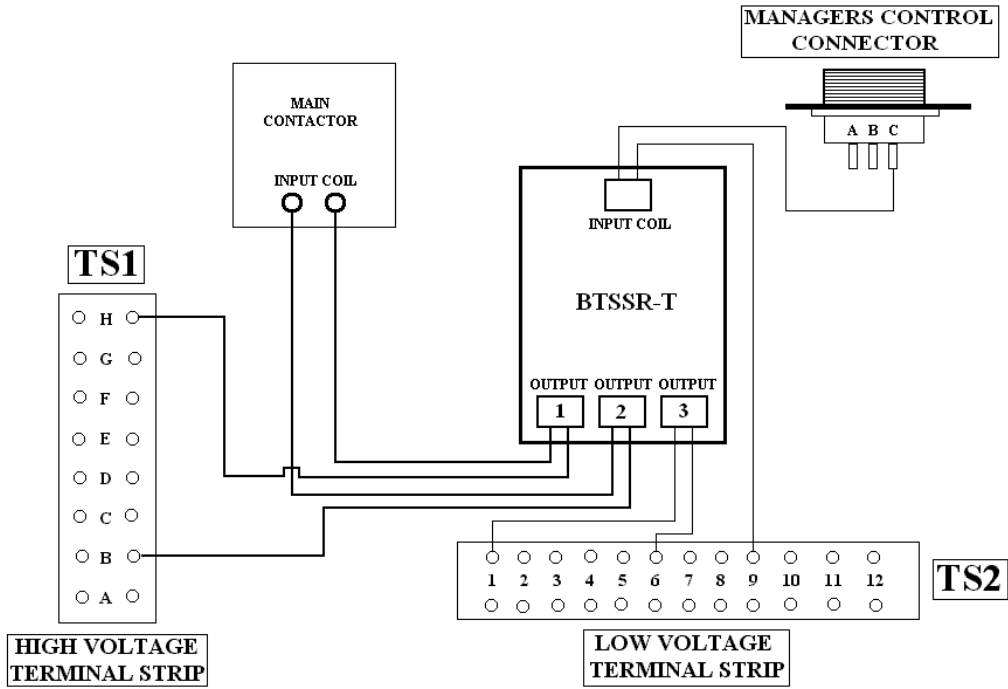
The (BTSSR-T) has many uses; it's a triple pole relay that can handle up to a 1 AMP switching current @ 220 VAC per output. For example it can be used as a motor start relay for a Brunswick "A" machine.

## Installation Instructions "A" Machine Motor Start Relay (BTSSR-T)

---

---

On an "A" machine as a motor start relay, the wire coming from (TS2-9) will connect to one side of the input coil terminal connector. The wire coming from (Terminal "C") of the managers control connector will connect to the remaining side of the input coil terminal connector. The wire coming from terminal (H) will connect to one side of output terminal 1. The remaining side of output terminal 1 will connect to one side of the main contactors coil. The wire coming from terminal (B) will connect to one side of output terminal 2. The remaining side of output terminal 2 will connect to the other side of the main contactors coil. The wire coming from (TS2-1) will connect to one side of output terminal 3. The remaining side of output terminal 3 will connect to (TS2-6). *(See example on next page)*



**"A" MACHINE**  
**EXAMPLE CIRCUIT**  
**MOTOR START RELAY**

For repair visit: [www.bowl-tronics.com/service](http://www.bowl-tronics.com/service)

**Fill out our service request form and ship to the address that is shown.**

Notes:

---



---



---



---