

# **Bowl-Tronics Enterprises Incorporated**

Address: 1115 Sherwood Ave

Elgin IL. 60120

Website: [www.bowl-tronics.com](http://www.bowl-tronics.com)

E-mail: [rick@bowl-tronics.com](mailto:rick@bowl-tronics.com)

Phone: 847-741-4500

## **Solid-State Start Switch (STSW)**

### **Solid-State Start Switch Theory**

This solid-state start switch is designed to replace the old centrifugal switch in your back end or combo motor. Instead of using relay points of the centrifugal switch it utilizes solid-state triac for switching instead. This solid-state start switch will outlast any normal mechanical type centrifugal switch.

### **Installation Instructions**

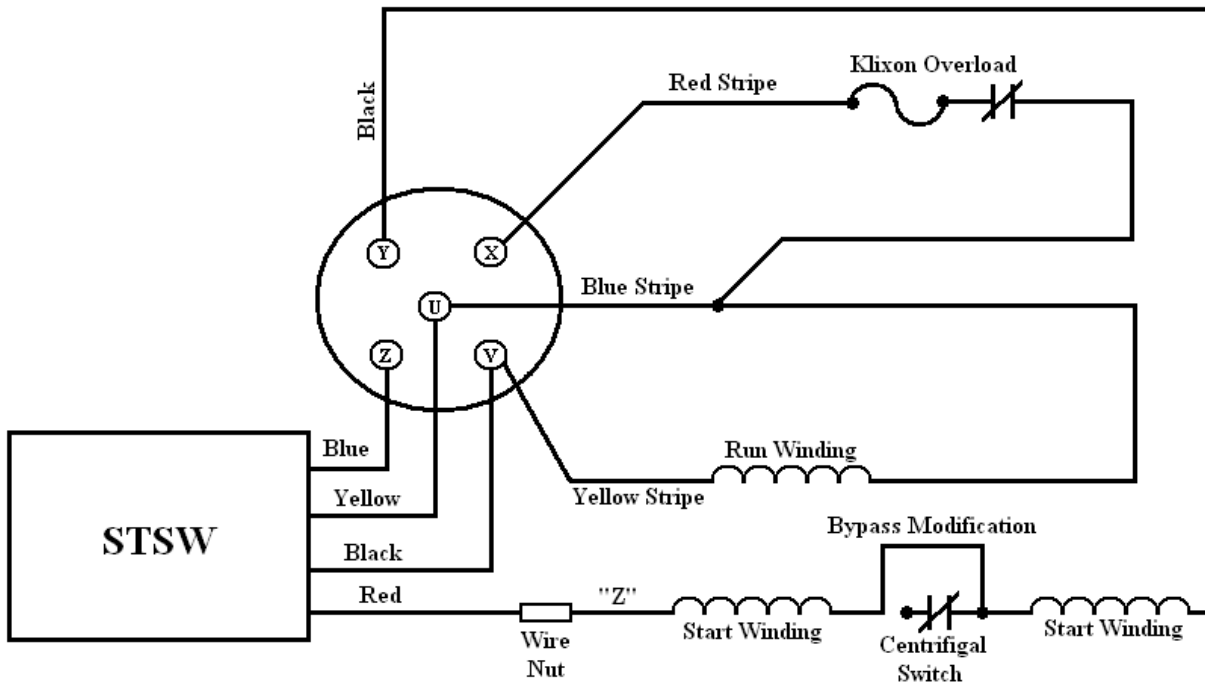
*Remember to remove power before performing any installation!!*

Before starting the installation make sure that your motor contactor and start capacitors are in good working condition. The solid-state start switch was designed to be used on regenerative and conventional type motors. The wiring diagrams on the following pages cover a wide variety of popular back end and combo motors. Keep in mind that the new solid-state start switch will always have its red and blue wires hooked across where the old centrifugal switch points hooked to. The black and yellow wires will always hook across the 120 V.A.C. input to the motor which is across the motor run winding.

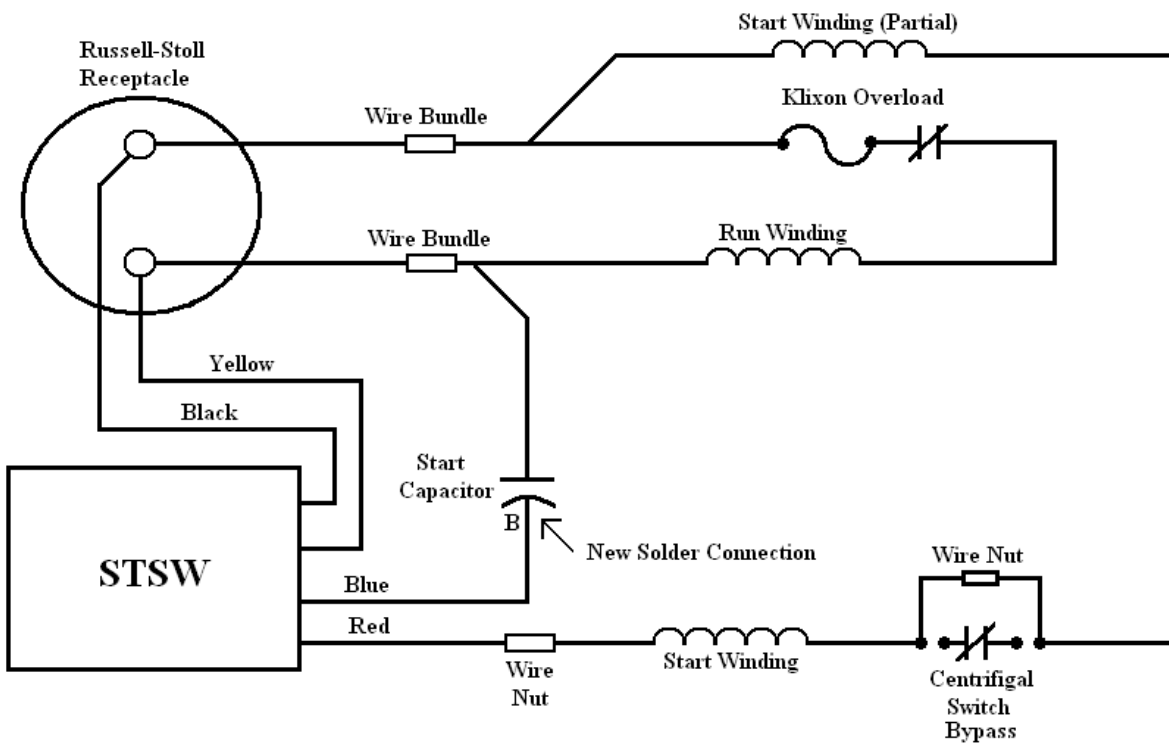
### **MOTOR WIRING DIAGRAMS TABLE OF CONTENTS**

<b>National Combo and Back End Motors.....</b>	<b>Page 2</b>
<b>General Electric Combo and Back End Motors .....</b>	<b>Page 3</b>
<b>G.E. Combo and Back End Motors .....</b>	<b>Page 4</b>
<b>Quality/Leeson Combo and Back End Motors .....</b>	<b>Page 5</b>
<b>Westinghouse Combo and Back End Motors .....</b>	<b>Page 6</b>
<b>Notes and Bowl-Tronics contact information .....</b>	<b>Page 7</b>

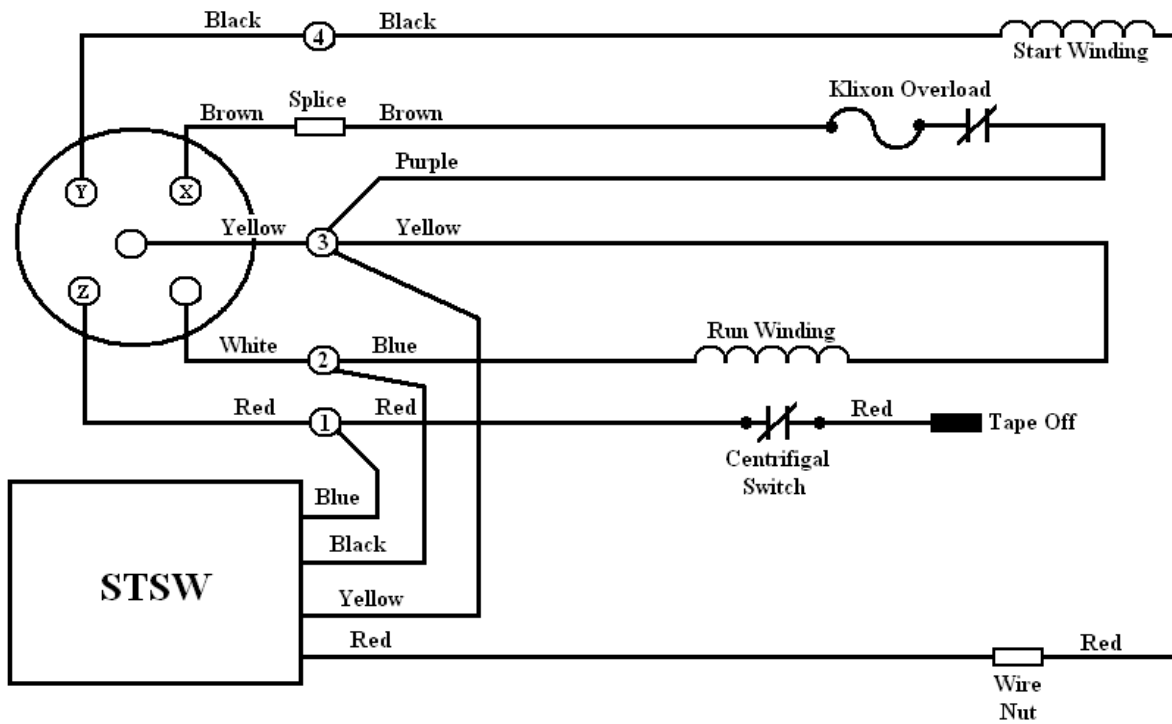
## NATIONAL COMBO MOTOR



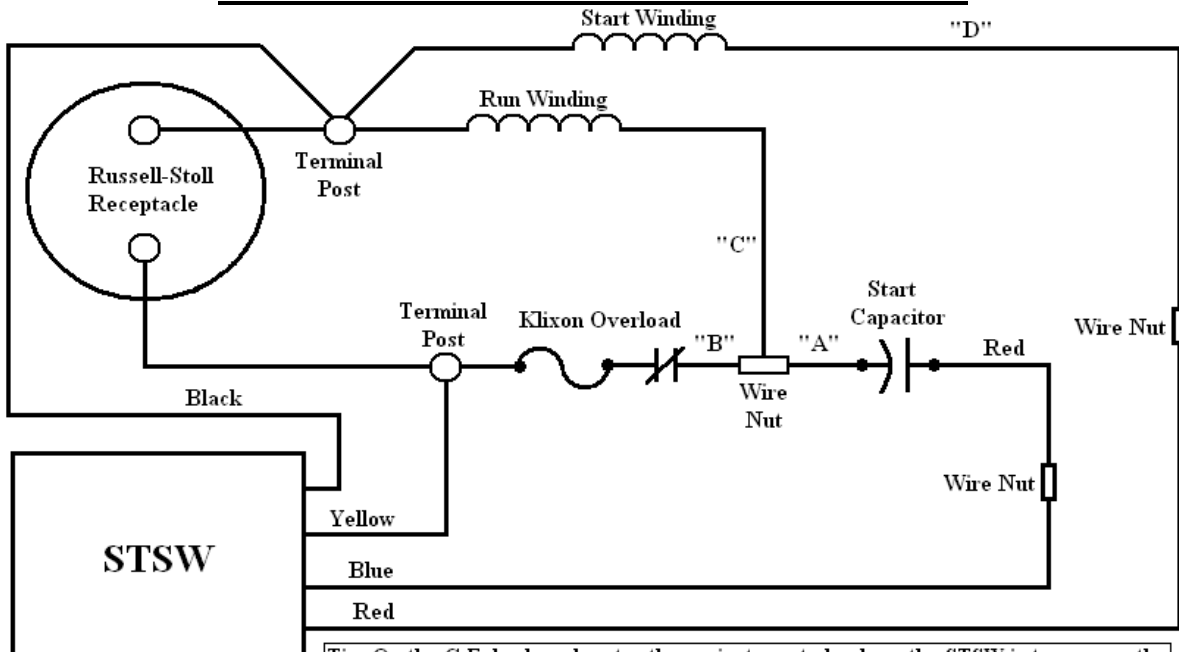
## NATIONAL BACK END MOTOR



## GENERAL ELECTRIC COMBO MOTOR

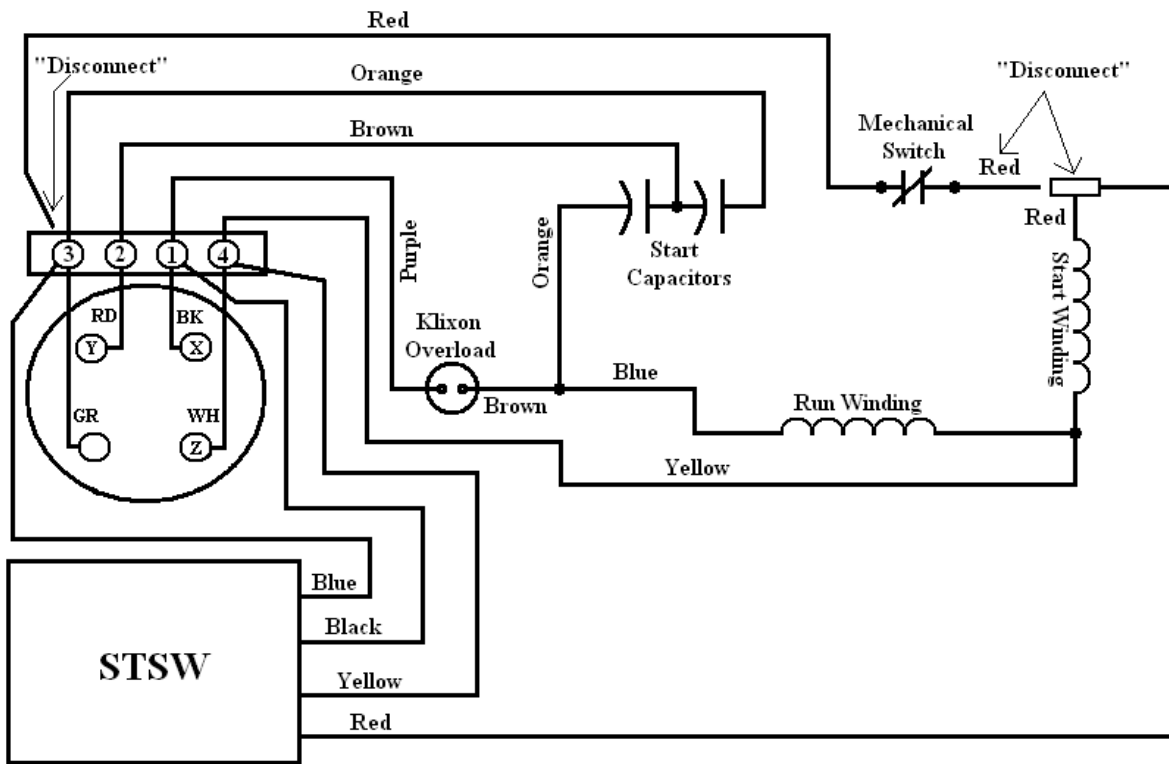


## GENERAL ELECTRIC BACK END MOTOR

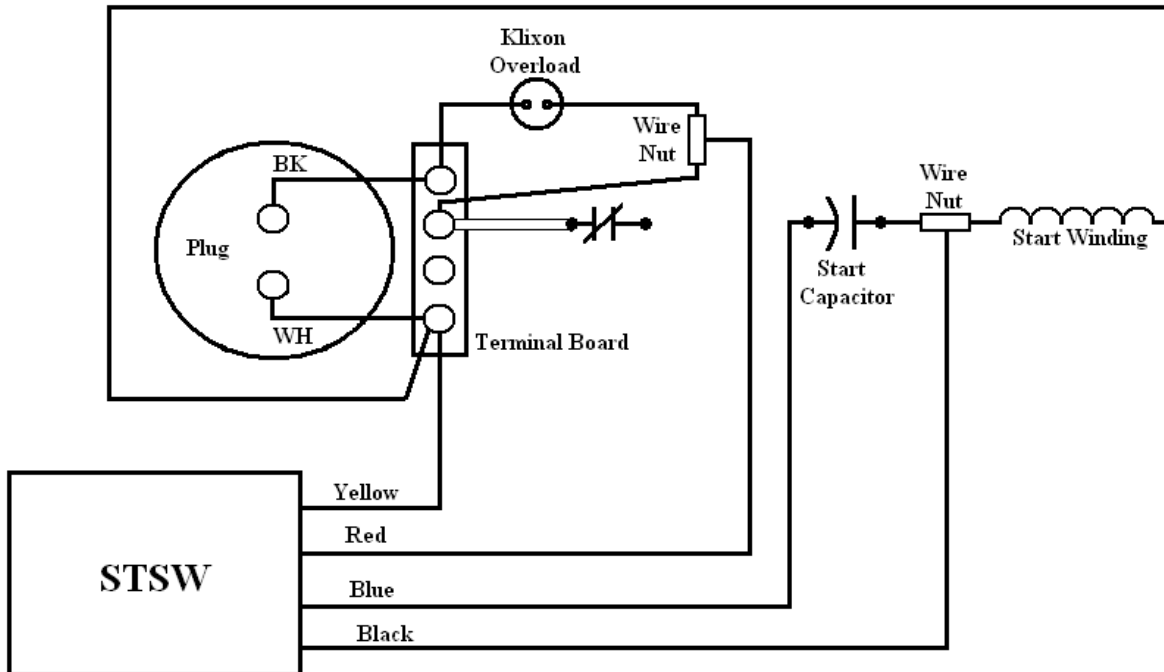


Tip: On the G.E. back end motor the easiest way to hook up the STSW is to remove the red capacitor wire off the mechanical switch and wire nut the blue wire from the new STSW together. Remove the wire off the other side of the mechanical switch and wire nut it with the red wire from the new STSW. Hook the black and yellow wires to each terminal post.

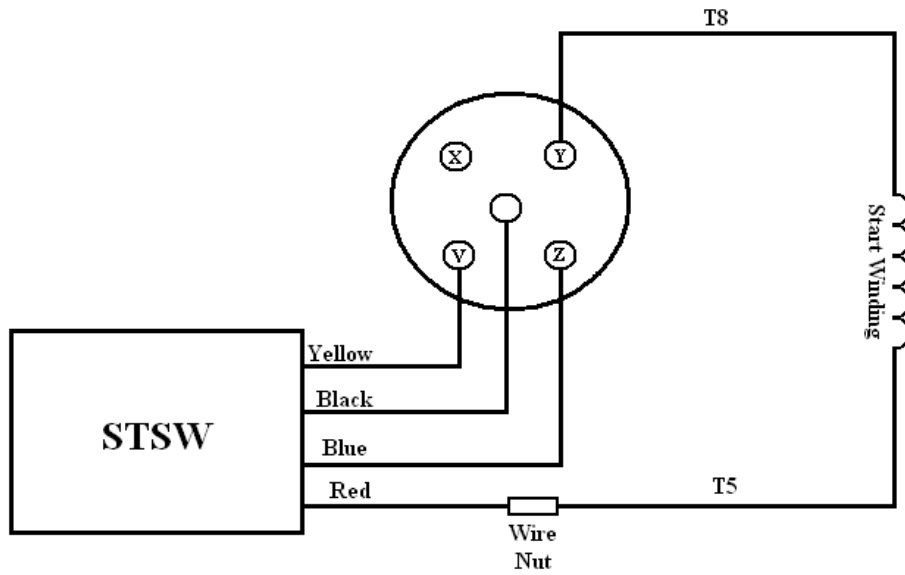
## 6525 G.E.COMBO MOTOR



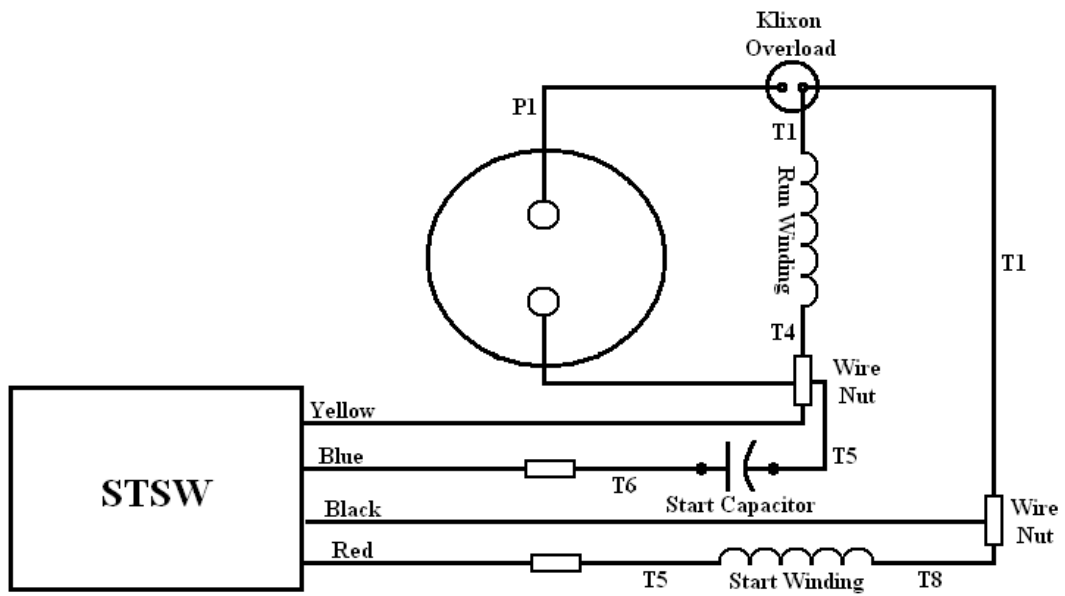
## 6525 G.E. BACK END MOTOR



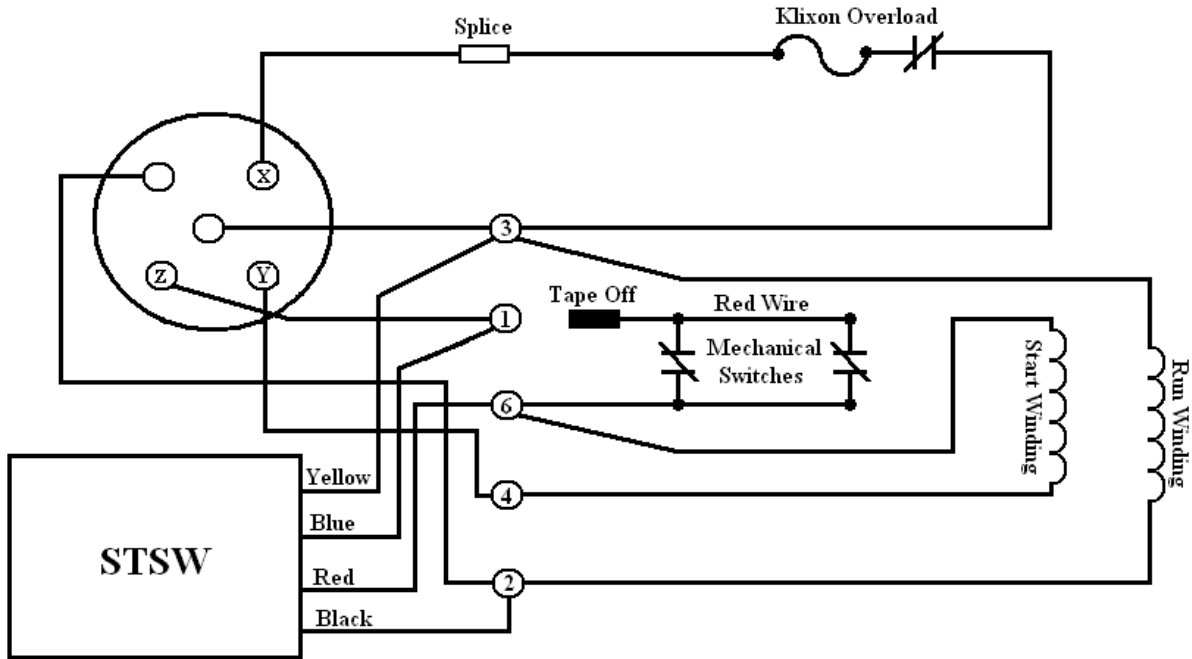
## QUALITY/LEESON COMBO MOTOR



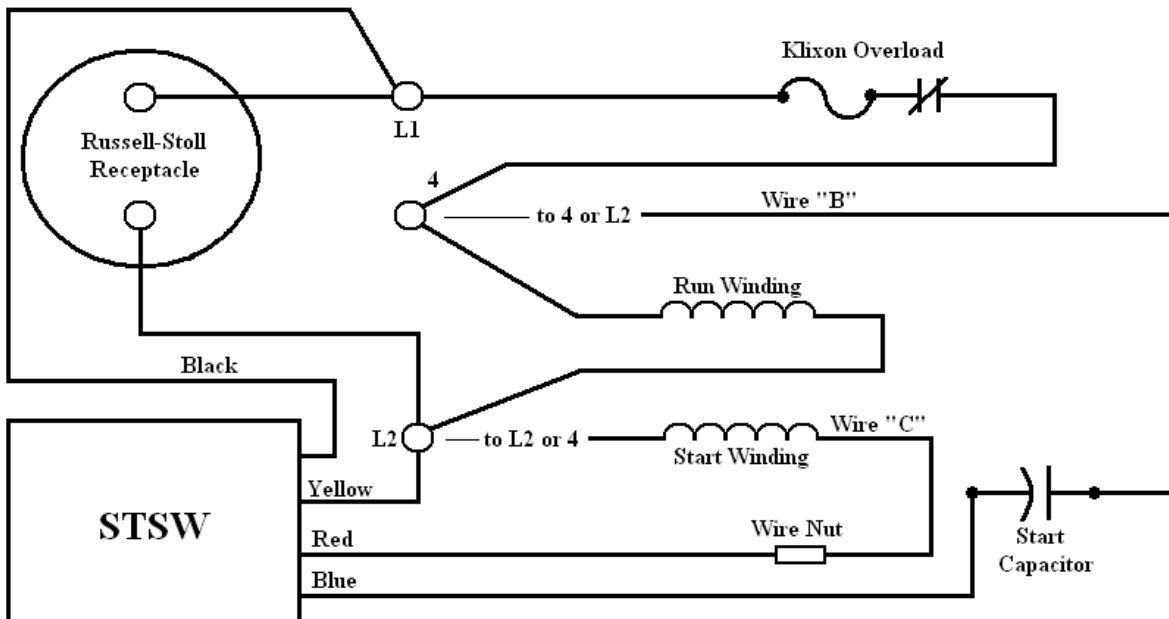
## QUALITY/LEESON BACK END MOTOR



## WESTINGHOUSE COMBO MOTOR



## WESTINGHOUSE BACK END MOTOR



**For repair visit: [www.bowl-tronics.com/service](http://www.bowl-tronics.com/service)**

**Fill out our service request form and ship to the address that is shown.**

**Notes:**

---

---

---

---

---

---